



MicroBox-7824B-E02-003

Multiple HDMI Outputs Industrial Thin Client

Features

- Intel Celeron J1900 @ 1.99GHz / Atom E3845 @ 1.91GHz CPU
- 4GB DDR3 SO-DIMM
- Dual Gigabit Ethernet
- 1 x RS-232/422/485 BIOS Selectable
- 1 x USB 3.0, 3/6 x USB 2.0 ports
- Line out, Mic in (A00)
- ThinManager Ready

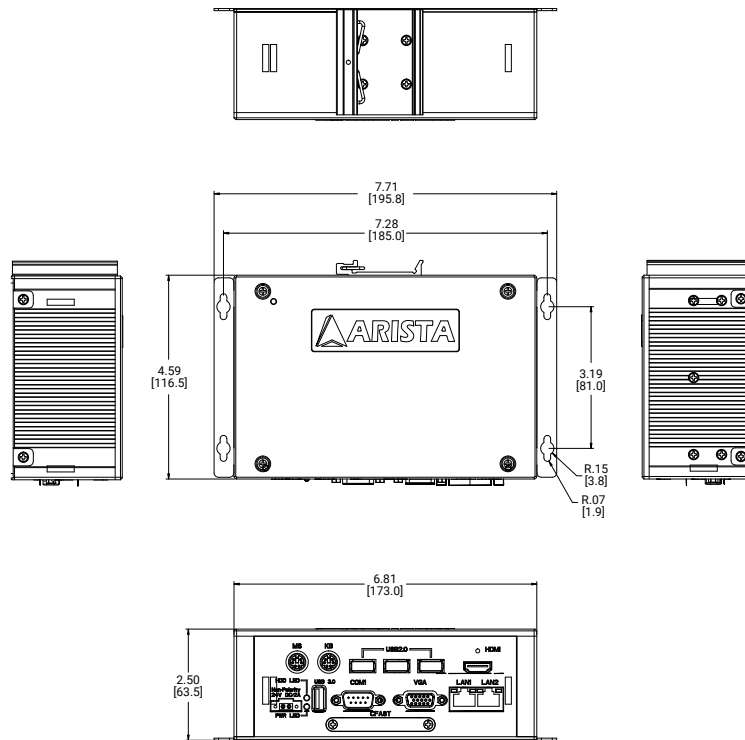


Specifications

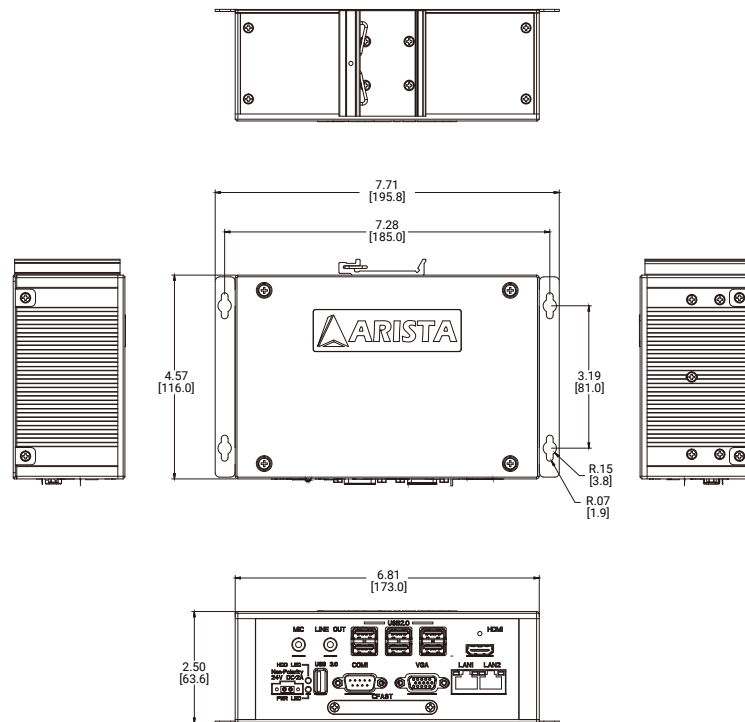
Model Name	MicroBox-7824B-E02-003	MicroBox-7824B-E02-A03
System		
CPU	Intel Celeron J1900 @ 1.99GHz / Atom E3845 @ 1.91GHz CPU	Intel Celeron J1900 @ 1.99GHz / Atom E3845 @ 1.91GHz CPU
Chipset	Bay Trail	Bay Trail
Memory	4GB DDR3 SO-DIMM	4GB DDR3 SO-DIMM
Video Controller	Intel Gen7 Intel Graphics DX 11, OGL3.2	Intel Gen7 Intel Graphics DX 11, OGL3.2
Video Interface	VGA & HDMI	VGA & HDMI
Storage Option	CFast	CFast
Compact Flash	N/A	N/A
Keyboard/Mouse	USB / PS2	USB
Audio	N/A	Line Out, Mic In
Watchdog Timer	Programmable 1 - 255 sec	Programmable 1 - 255 sec
Remote Boot	ThinManager Ready, PXE	ThinManager Ready, PXE
Expansion Slot	Mini PCIe x 2	Mini PCIe x 2
I/O Communication		
USB Port	1 x USB 3.0, 3 x USB 2.0	1 x USB 3.0, 6 x USB 2.0
Serial Port	1 x RS-232/422/485 BIOS Selectable	1 x RS-232/422/485 BIOS Selectable
IEEE 1394	N/A	N/A
LAN	2 x Gigabit	2 x Gigabit
Parallel	N/A	N/A
GPIO	N/A	N/A
Smart Battery		
External Smart Battery	N/A	N/A
OS Support		
OS Support	N/A	N/A
Power / Thermal Specs		
Power Requirement (Max)	24VDC / 0.7A	24VDC / 0.7A
Power Consumption (Max)	17 W	17 W
Recommended Power Supply	24 W	24 W
Heat Dissipation	58 BTU/hr	58 BTU/hr
Physical Information		
Mounting	Wall Mount, DIN-Rail Mount	Wall Mount, DIN-Rail Mount
Net Weight	--	--
Dimension (W x H x D)	7.71 x 2.50 x 4.59 inch 195.8 x 63.5 x 116.5 mm	7.71 x 2.50 x 4.59 inch 195.8 x 63.5 x 116.5 mm
Environmental		
Operating Temperature	0~50°C (32~122°F)	0~50°C (32~122°F)
Storage Temperature	-20~60°C (-4~140°F)	-20~60°C (-4~140°F)
Relative Humidity	0~95%	0~95%
IP/NEMA Rating	meets IP50	meets IP50
Certification	FCC, CE, UL 61010	FCC, CE, UL 61010

Dimension Drawing

MicroBox-7824B-E02
Size Unit: inch(mm)



MicroBox-7824B-E02-A00
Size Unit: inch(mm)



Ordering Information

Item	MicroBox-7824B-E02-003-DR	MicroBox-7824B-E02-P03-DR	MicroBox-7824B-E02-A03-DR
CPU	Intel Celeron J1900 @ 1.99GHz / Atom E3845 @ 1.91GHz CPU	Intel Celeron J1900 @ 1.99GHz / Atom E3845 @ 1.91GHz CPU	Intel Celeron J1900 @ 1.99GHz / Atom E3845 @ 1.91GHz CPU
Memory	4GB DDR3	4GB DDR3	4GB DDR3
Storage	N/A	N/A	N/A
Audio	N/A	N/A	Line out, Mic in
Remote Boot	ThinManager Ready	PXE	ThinManager Ready
Power Supply	110/220VAC Input DIN-Rail	110/220VAC Input DIN-Rail	110/220VAC Input DIN-Rail